



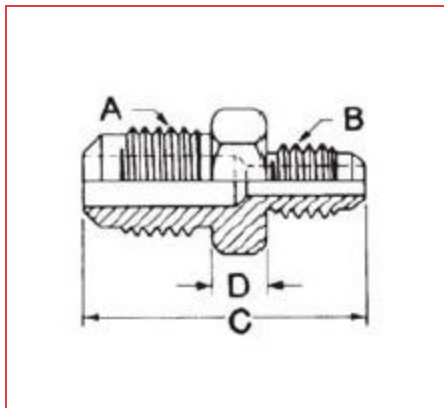
Mueller Streamline Co. Headquarters

150 Schilling Blvd
Suite 201
Collierville, Tennessee 38017
United States
Phone: 901 753 3200

Mueller Streamline Co. International

525 Okeechobee Blvd
Suite 860
West Palm Beach, FL 33401
United States
Phone: 561 273 8300

ITEM # A 04734, 45° FLARE FITTINGS - CONNECTORS - REDUCING UNIONS - FL TO FL



[Specifications](#) | [Dimensions](#) | [Packaging](#)

Specifications

Universal Category Code	UR2-128
Connection Size	3/4 in
End Type	Flare
Second Connection Size	1/2 in
Second End Type	Flare
MAP	48 bar 700 psi
Weight	0.290 lb

Dimensions

A	3/4 in
B	1/2 in
C	2.19 in
D	0.44 in
HEX	1 1/16 in

Packaging

Box (Qty)	10
------------------	----